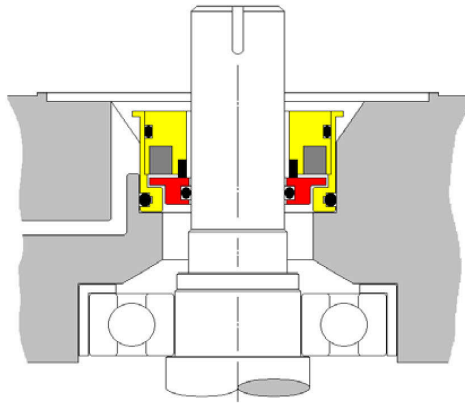




MAGNUM-S SEALS

to fit **SUNDYNE**
LMV UPPER GEARBOX



ISOMAG bearing seals eliminate the problems caused by leaking upper gearbox lip seals.

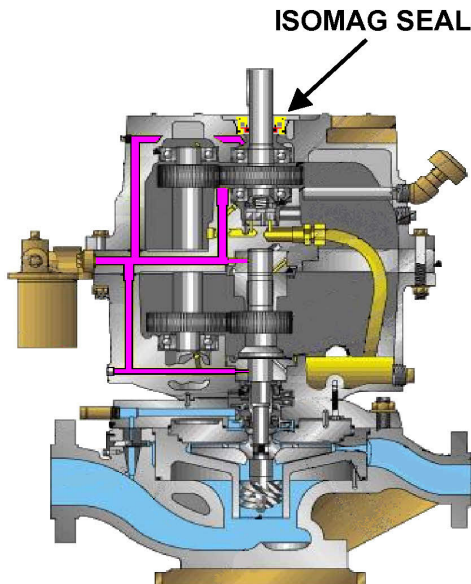
ISOMAG lapped flat face sealing technology seals in lubricating oil better and longer than standard lip seals.

These **ISOMAG** seals are designed to replace the standard upper gearbox lip seal in **Sundyne LMV** series geared pumps.

Put an end to oily and messy drain ports on your **Sundyne** pumps.

ISOMAG MAGNUM seals are designed to last for years and **not damage your shaft**. They work as a compact one-piece unit that installs as easily as a lip seal.

The **MAGNUM-S** features all metal primary construction and internal magnetically loaded sealing faces with **no exposed moving parts**.



LMV 311 & LMV 322

Isomag Magnum-S cartridge bearing seal
Assembly code 1500MS2248
Assembly Dwg. C0001173
P.I.N. 0000029

LMV 331 & LMV 333

Isomag Magnum-S cartridge bearing seal
Assembly code 1500MS2498
Assembly Dwg. C0001174
P.I.N. 0001302

U.S. Patents
5,730,447
6,805,358

